

Wireless Angle Sensor WC30i-AXIS

FREEWAVE

Rugged, Simple, Flexible, Value



KEY FEATURES

3-axis Accelerometer constantly monitors angle with its internal sensor and reports status when changes occur.

Built-in 900MHz radio and antenna.

Operates as a standard wireless Endpoint in the WAVECONTACT network.

Rugged design for demanding outdoor environments.

Magnetic mounting for fast installation and setup or with built-in installation holes.

Pushbutton zeroing.

Modbus or digital output alarming at the Gateway is available.

Long battery life (greater than 5 years).

Simple installation.

Up to ½ mile range.

Hazardous Location Certified - Class 1 Div 1 certification pending.

OVERVIEW

FreeWave's new WC30i-AXIS Wireless Angle Sensor is a wireless, solid-state inclinometer that measures an angle from horizontal with two modes: Hatch Detection and Pump Jack Detection.

- The Hatch Detection mode enables monitoring of the opening condition (closed, cracked open, opened) of a hatch for environmental and safety concerns.
- The Pump Jack Detection mode detects and reports if it is operating or moving.

The WC30i-AXIS can also be applied to a variety of other applications where there's a need to detect an angle from horizontal.

TECHNICAL SPECIFICATIONS

TRANSMITTER

Frequency Range	902-928 MHz, FHSS, license-free ISM Band Compliant with FCC Part 15
Range	Up to ½ mile
Networks	Up to 65,520 separate networks
Over the Air Rate	10 kbps
Encryption	AES 128-bit

RECEIVER

Sensitivity	-109 dB
--------------------	---------

INTERFACES

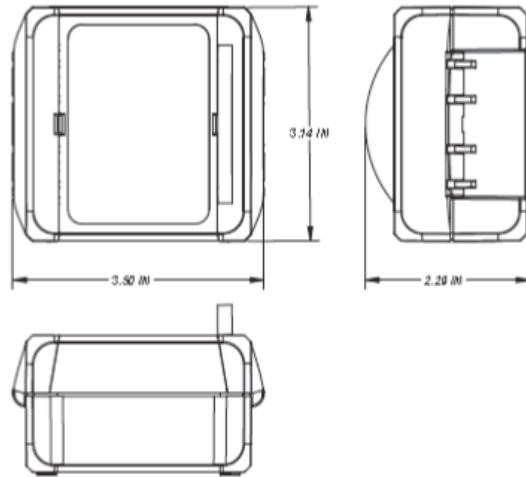
Data Interface	Wireless, available as Modbus registers at Gateway or Digital Output.
Reporting	Reports every 10 minutes or immediately after a state change

POWER REQUIREMENTS

Battery	Internal battery pack, Field replaceable. C1D1 Certified.
Battery Life	Greater than 5 years
Radio Power	40 mW

GENERAL INFORMATION

Operating Temperature	-40°F to +176°F
Humidity	NEMA 4X Enclosure
Certification	Hazardous Location Certified, Class 1 Division 1, IS pending, Temp Code T3, Groups C&D. Conforms to UL Std 913, Certified to Can/CSA Std C22.2 No. 157
Internal Diagnostics	Battery voltage, signal strength, error corrections
Dimensions	3.14 L x 3.5 W x 2.2 H (in)



INFORMATION TO ORDER

Model Number	Description
WC30i-AXIS	Wireless Angle Sensor



SOLUTIONS



CONTACT US

5395 Pearl Parkway, Boulder, CO 80301
 TF: 866-923-6168 T: (303) 381-9200
 For more information, visit www.freewave.com